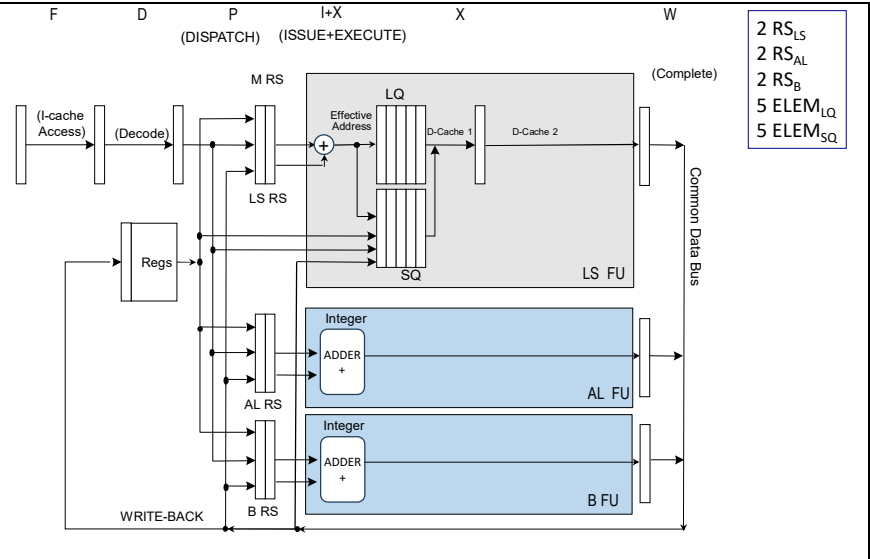


1) (POINTS 24/40) Consider a **single-dispatch (1 instruction per cycle)** processor using Tomasulo's algorithm to perform the dynamic scheduling of instructions on the pipeline shown in the following figure. This pipeline is executing the following program, which performs a search within a vector (initially, R1=0).

```
etic: LW  R2, 0(R1) ; read Xi
      ADDI R2, R2, 3 ; adds 3 to Xi
      SW  R2, 0(R1) ; write Xi
      ADDI R1, R1, 4 ; update R1
      BNE R2, R0, etic ; continue to loop if false
```



**Working hypothesis:**

- the loop executes speculatively in terms of direction (always taken) but not regarding the branch condition; high-performance fetch breaks after fetching a branch; case A) no-speculation on branch condition; case B) speculation on branch condition;
- the issue stage (I) calculates the address of the actual read/write and push it into load/store queues; only 1 instruction is issued per cycle
- reads require 1 clock cycle**; writes take 1 cycle
- when accessing memory (M), **writes** have precedence over reads and must be executed in-order
- there is a single CDB**
- dispatch stage (P) and complete stage (W) require 1 clock cycle
- only 1 instruction is committed (C stage) per cycle
- there are separated integer units: one for the calculation of the actual address, one for arithmetic and logical operations, one of the integer multiplication and one for the evaluation of the branch condition, as illustrated in this table:

Type of Functional Unit	No. of Functional Units	Cycles for stage I+X	No. of reservation stations
LS: Integer (effective addr.)	1	1	2
A: Integer (op. A-L)	1	1	2
B: Integer (branch calc.)	1	1	2

- the functional units do not take advantage of pipelining techniques internally
- reservation stations are busy until the end of CDB-write (except for Stores)**
- the load queue has **5 slots**; the store queue has **5 slots** (writes wait for the operand in the store queue, i.e., in the execution stage)

Complete the following chart until the end of the **third** iteration of the code fragment above, both in the case of simple dynamic scheduling (case A) that in the case of dynamic scheduling with speculation (case B).

Instr. No.	Instruction name	P: disPatch (start-stop)	I+X: Issue+Exec (start-stop)	M: MEM.ACCESS (clock)	W: CDB-write (clock)	C: Commit (clock)	Comments
I01	LW R2, 0(R1)	1-4	2	3	4	5	
...	...						
...	...						

2) (POINTS 16/40) Given the sequence P1: R, P2: R, P3: R, P1: W, P2: W, P3: W (Px:R = read by the processor Px, Px:W write by the processor Px), with respect to a certain variable 'a', show for each processor the sequence of states, and transactions on the bus that occur in a multiprocessor UMA with write-back caches for each processor and PSCR coherence protocol.